

- Bright reflections, elegant embossed radiating sun design.
- Draft tower mounts directly to platform tray eliminating coring of counter top.
- Perfect choice for either a new install or retrofit a damaged bar top.
- Robust 18 gauge stainless steel module with full plywood under support.

**DP-1608-SL****Feature**

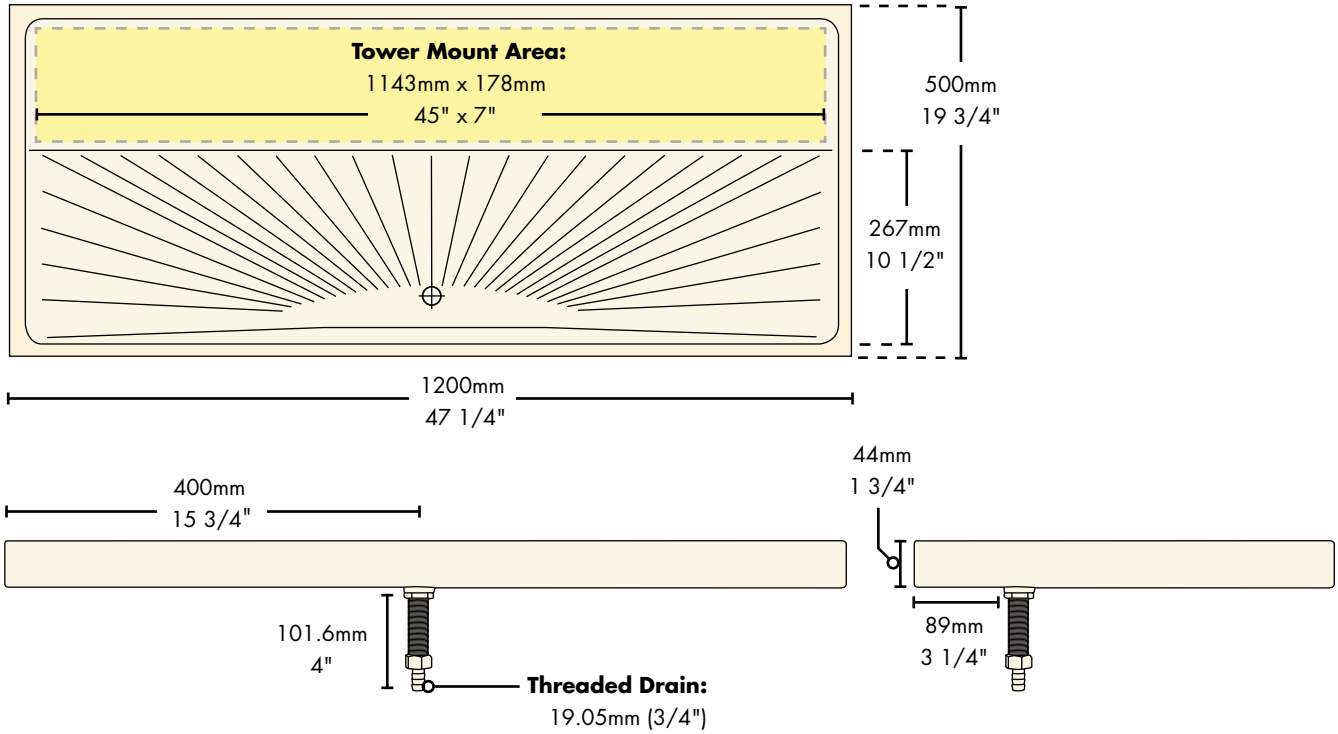
- S** Stainless Steel for improved hygiene and durability.

Specifications

Micro Matic reserves the right to change specifications without notice.

Part No.	Description	Shipping Weight	Box Dimensions
<input type="checkbox"/> DP-1608-SL	Polished Stainless Steel	11 kg	1207mm L x 508mm W x 51mm H
		25 lbs	47 1/2"L x 20"W x 2"H

Dimensions



Copyright ©2008 Micro Matic USA, Inc. All Rights Reserved.

00336-D0608 0708



www.micromatic.com

Toll Free: 1-(866) 327-4159

West	Central	Southeast	Northeast
19791 Bahama Street Northridge, CA 91324 Tel. (818) 701-9765 Fax. (818) 701-9844	10726 North Second Street Machesney Park, IL 61115 Tel. (815) 968-7557 Fax. (815) 968-0363	2364 Turbine Court Brooksville, FL 34604 Tel. (352) 799-6331 Fax. (352) 796-2429	4601 Saucon Creek Road Center Valley, PA 18034 Tel. (610) 625-4464 Fax. (610) 625-4466