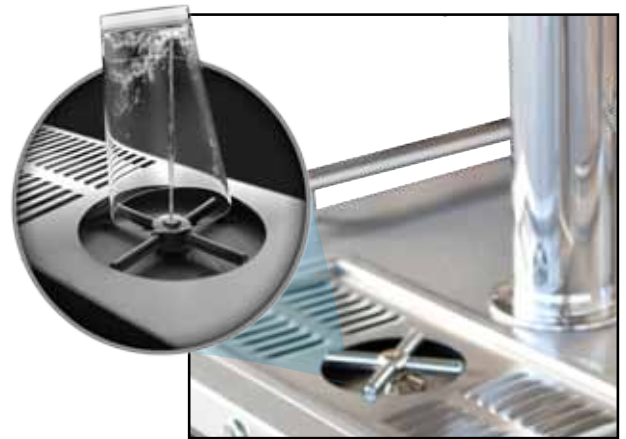


- Designed by beer-industry experts for performance and value.
- Integrated glass rinser: condition the glass with cold water before pouring.
- Rugged keg slides – extends floor life.
- Full-size drain tray – larger work area and improved hygiene.



▶ Integrated cold water glass rinser.



Black with Glass Rinser

MDD23-GR



Stainless Steel with Glass Rinser

MDD23S-GR

Feature



Listed by Edison
Testing Laboratories.

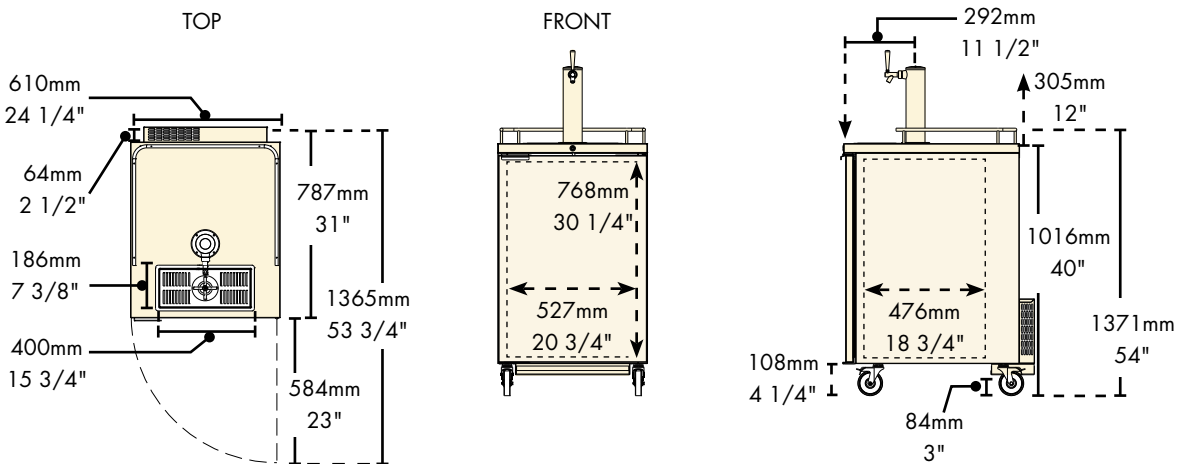
| Part No. | Exterior Finish | Doors | Shipping Weight | Box Dimensions |
|-----------------------------|------------------------------------|-------|-----------------|------------------------------|
| ☐ MDD23-GR | Black With Glass Rinsers | 1 | 78 kg | 679mm L x 794mm W x 1194mm H |
| | | | 171 lbs | 26 3/4"L x 31 1/4"W x 47"H |
| ☐ MDD23S-GR | Stainless Steel With Glass Rinsers | 1 | 78 kg | 679mm L x 794mm W x 1194mm H |
| | | | 171 lbs | 26 3/4"L x 31 1/4"W x 47"H |

Operating Performance

| | | | |
|-------------------------------|--------------------|------------------------|------------|
| Capacity of 1/2 Kegs | 1 | Running Amps | 2.7 |
| Cubic Feet (liters) | 8.4 (239) | Voltage | 115/60/1 |
| Number of Draft Towers | 1 | Plug Type | NEMA-5-15R |
| Number of Faucets | 1 | Cord Length | 8' |
| Beer Tower Approval | NSF 7.0 and NSF 18 | Refrigerant | R-134a |
| Approval | ETL Listed | Charge oz (Grs) | 10.5 (300) |
| Condenser HP | 1/8 | | |

| | |
|---------------------------|---|
| Exterior | All Models: 18 gauge stainless steel top, 22 gauge solid doors, 24 gauge steel front, sides and back. Black Models: Front, sides, back and doors painted black. Stainless Steel Models: Front, sides, back and doors stainless steel. |
| Interior | 20 gauge stainless steel floor, rugged false floor, reinforced frame, 24 gauge galvanized walls |
| Ventilation | Front and back ventilated |
| Plumbing | Drain Tray: 3/4" NPT drain exits out left end. Automatic condensate evaporator, no drain connection required. Evaporator condensate has been plumbed to a condensate pan located in the compressor housing. |
| Insulation | Foamed-in-place using high density, CFC-free polyurethane; 1-1/2" top, walls and floor. |
| Castors - Standard | |

Dimensions



Copyright ©2010 Micro Matic USA, Inc. All Rights Reserved. 00463.D0310



www.micromatic.com

Toll Free: 1-(866) 327-4159

| West | Central | Southeast | Northeast |
|---|---|---|---|
| 19791 Bahama Street Northridge, CA 91324 Tel. (818) 701-9765 Fax. (818) 701-9844 | 10726 North Second Street Machesney Park, IL 61115 Tel. (815) 968-7557 Fax. (815) 968-0363 | 2364 Turbine Court Brooksville, FL 34604 Tel. (352) 799-6331 Fax. (352) 796-2429 | 4601 Saucon Creek Road Center Valley, PA 18034 Tel. (610) 625-4464 Fax. (610) 625-4466 |