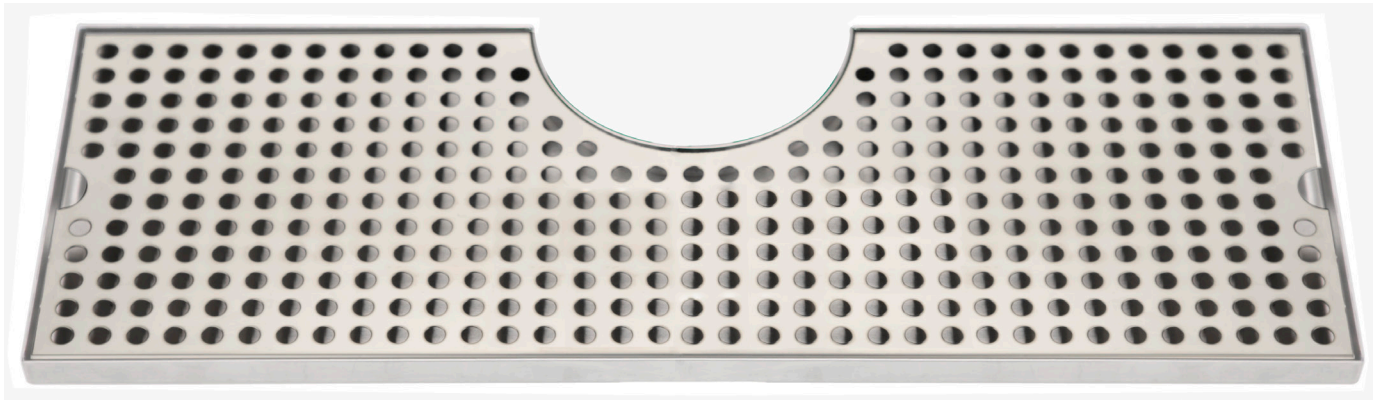
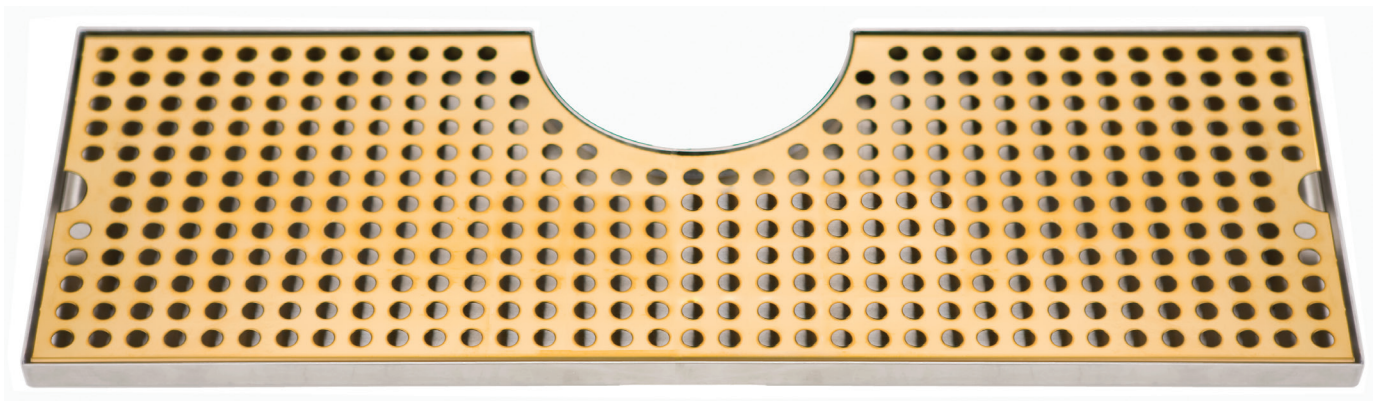


- Designed specifically for Metropolis T draft towers.
- Robust 18 gauge stainless steel construction.
- Welded corners, finished smooth for safety and appearance.
- Perforated screen for maximum drip coverage.



Stainless Steel
DP-MET-T-24



PVD Brass
DP-MET-T-SSPVD24

Features



Tarnish Free
PVD Brass.



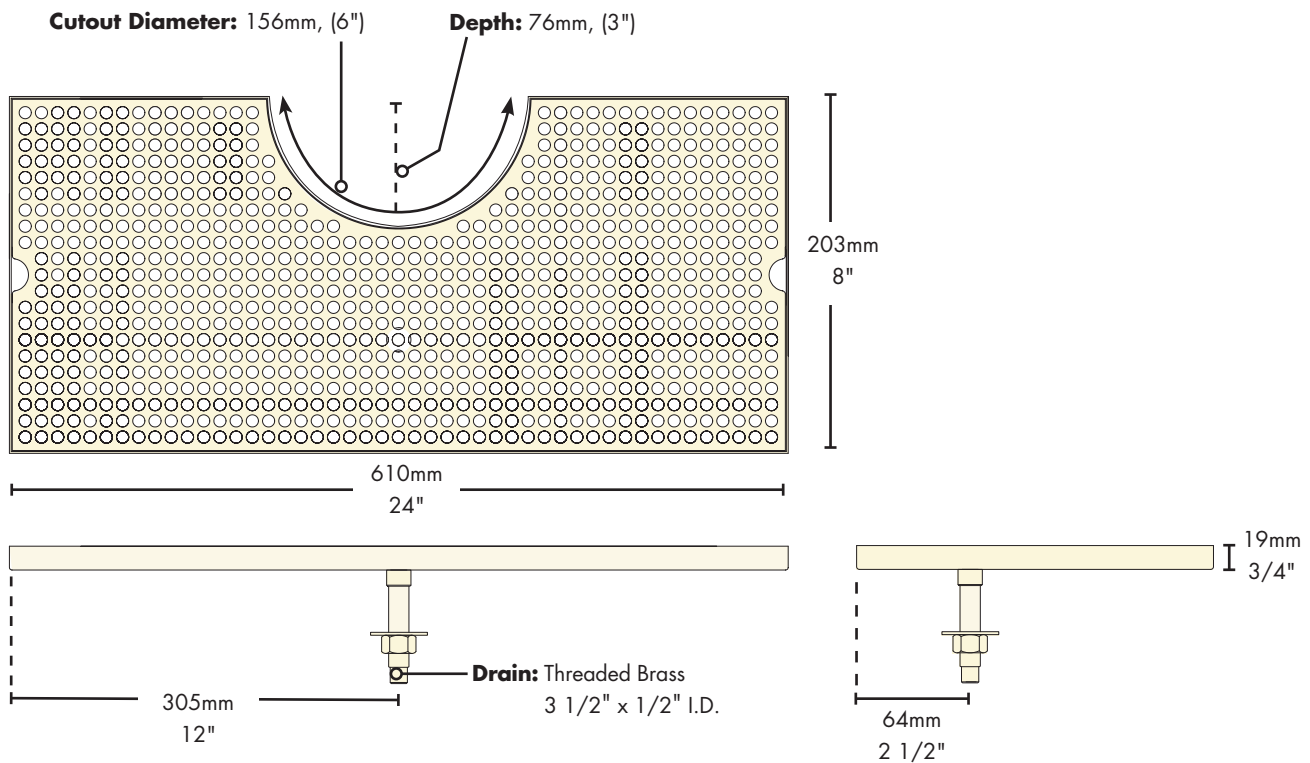
Stainless Steel for
hygiene and durability.

Specifications

Micro Matic reserves the right to change specifications without notice.

Part No.	Description	Shipping Weight	Box Dimensions
<input type="checkbox"/> DP-MET-T-24	Stainless Steel	3 kg	641mm L x 210mm W x 51mm H
		7 lbs	25 1/4"L x 8 1/4"W x 2"H
<input type="checkbox"/> DP-MET-T-SSPVD24	PVD Brass	3 kg	641mm L x 210mm W x 51mm H
		7 lbs	25 1/4"L x 8 1/4"W x 2"H

Dimensions



Copyright ©2013 Micro Matic USA, Inc. All Rights Reserved.

00338D0913



www.micromatic.com

Toll Free: 1-(866) 327-4159

West	Central	Southeast	Northeast
19791 Bahama Street Northridge, CA 91324 Tel. (818) 701-9765 Fax. (818) 701-9844	10726 North Second Street Machesney Park, IL 61115 Tel. (815) 968-7557 Fax. (815) 968-0363	2364 Simon Court Brooksville, FL 34604 Tel. (352) 799-6331 Fax. (352) 796-2429	4601 Saucon Creek Road Center Valley, PA 18034 Tel. (610) 625-4464 Fax. (610) 625-4466